

SBE/SR 90 T Specifications

Stainless steel, Triplex

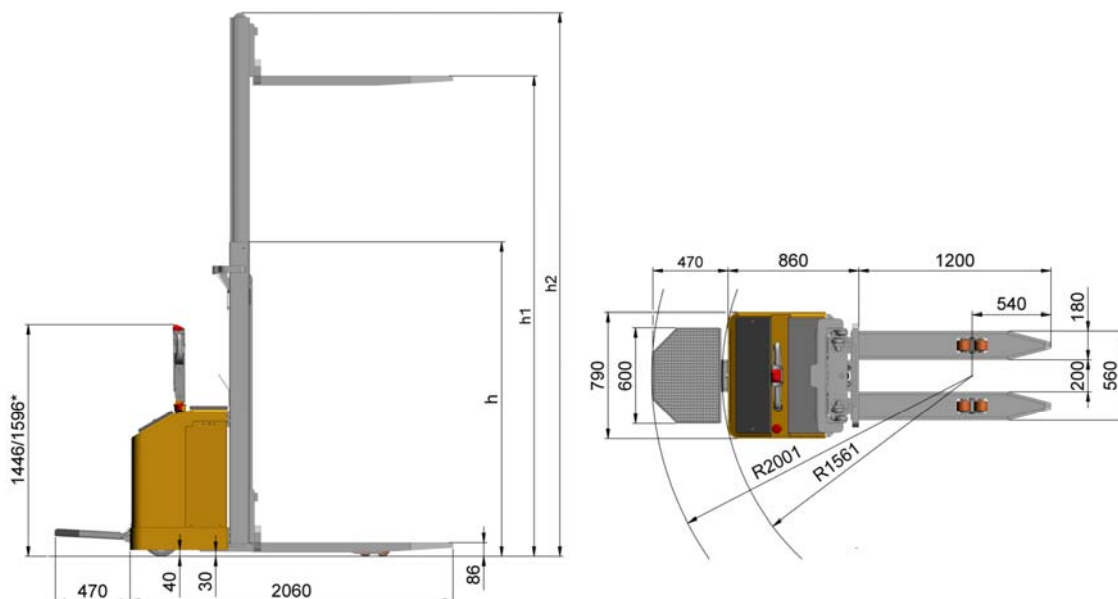
Walsted Truck A/S

Flexible solutions

Type			SBE/SR 90 T
Capacity	Q Load , Loadcenter 600 mm	kg	1500
Power type	Electric (battery)		Battery
Type of steering	Electric power steering		
Fork wheels	Numbers / type P = Polyurethane		(4x) P
Driving wheels	Numbers / type V = Vulkollan		(2x) V
Turning radius	Wa (without platform)	mm	1561
Turning radius	Wa (with platform)	mm	2001
Aisle width	AST with pallet 800 x 1200 (without platform)	mm	2253
Aisle width	AST with pallet 800 x 1200 (with platform)	mm	2693
Speed	Driving speed without/with load	km/h	6/5,4- (11,5/8,5**)
Grade ability	Without/with load	%	10/10
Weight	Without battery	kg	950
Brakes	Type		Electric
Battery	Type		Reinforced
	Capacity by 5 hours	V/Ah	24/344
	Weight approx.	kg	262
Electric motor	Drive motor power/S2 min.	KW/min.	2x1,5/60
	Pump motor power/S3	KW/%.	3/-
Speed control	Type		Step less
Lifting / lowering control	Electric		Step less

** With side-guards

Masttype	h = Building height, mast (mm)	h1 = lift (mm)	h2 = Building height by max lift (mm)	Free lift (mm)	Capacity by 600mm L/C (kg)
Triplex	1716	3500	3897	1264	1200
	1882	4000	4397	1430	800
	1949	4200	4597	1497	750
	2016	4400	4797	1564	700



These specifications are subject to change without notice

*without platform